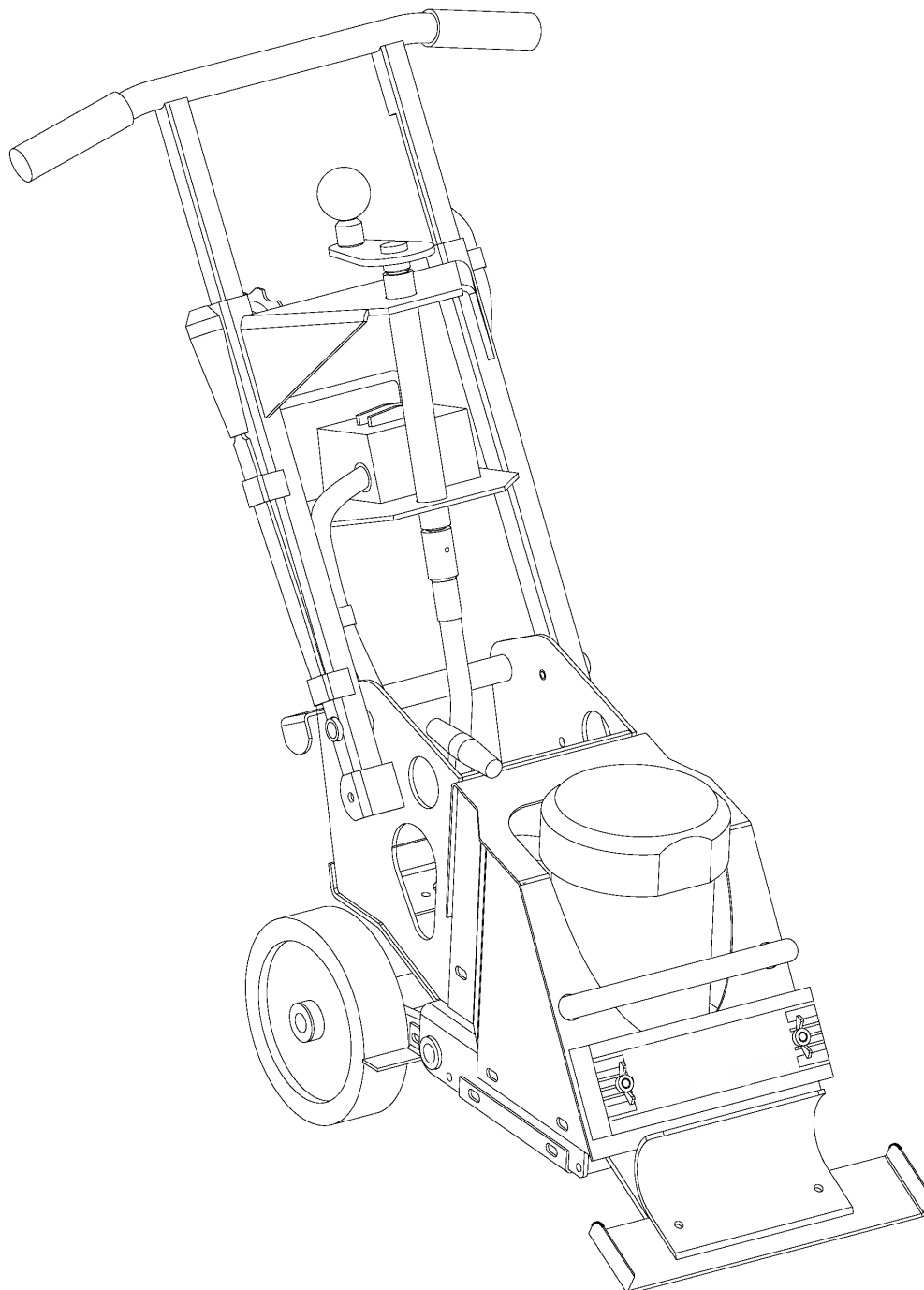


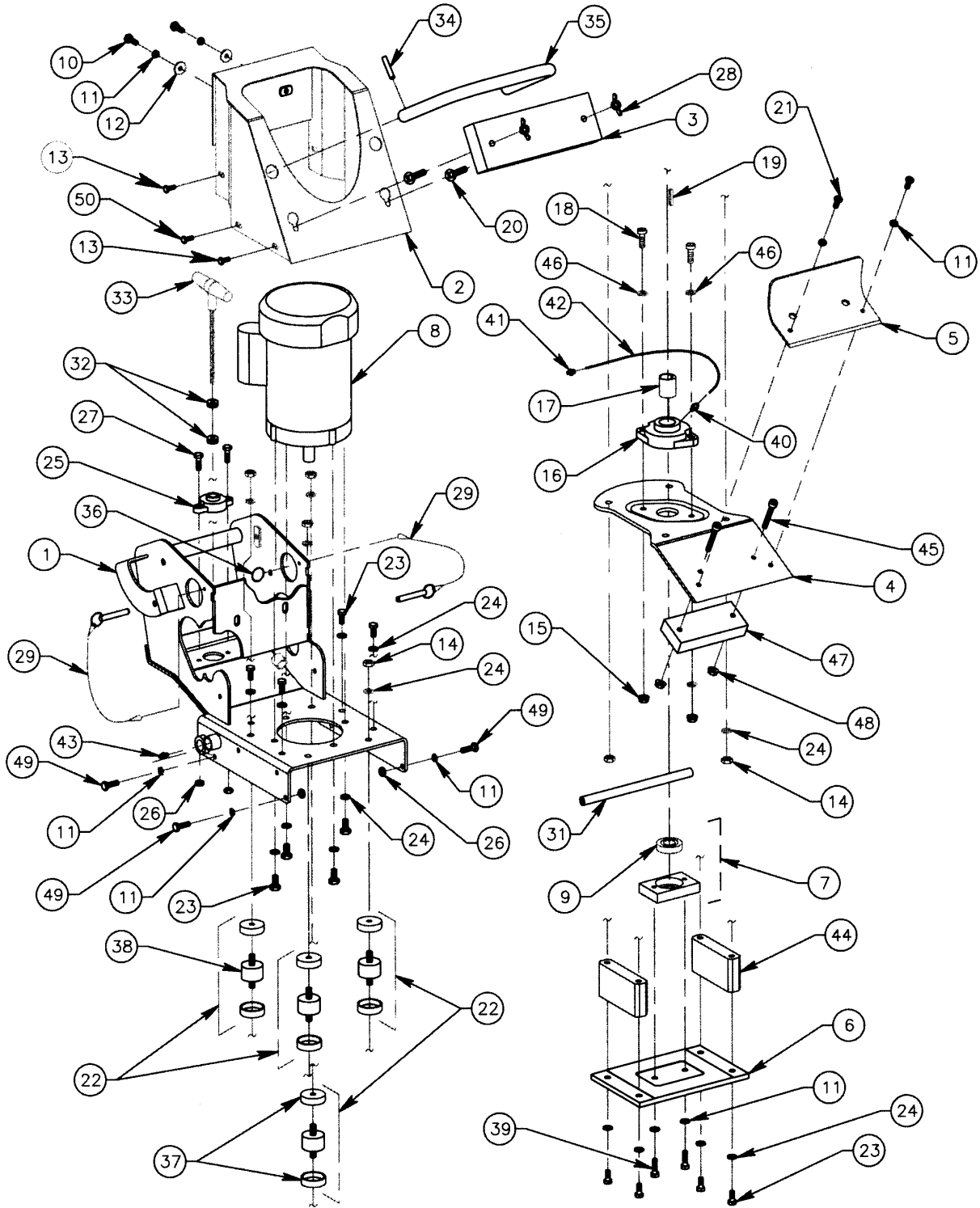
**#24-515 /#24-516**

**Bon Floor Stripper Replacement Parts/Diagram**

---



# Frame Assembly Bon Floor Stripper



## Frame Assembly Bon Floor Stripper

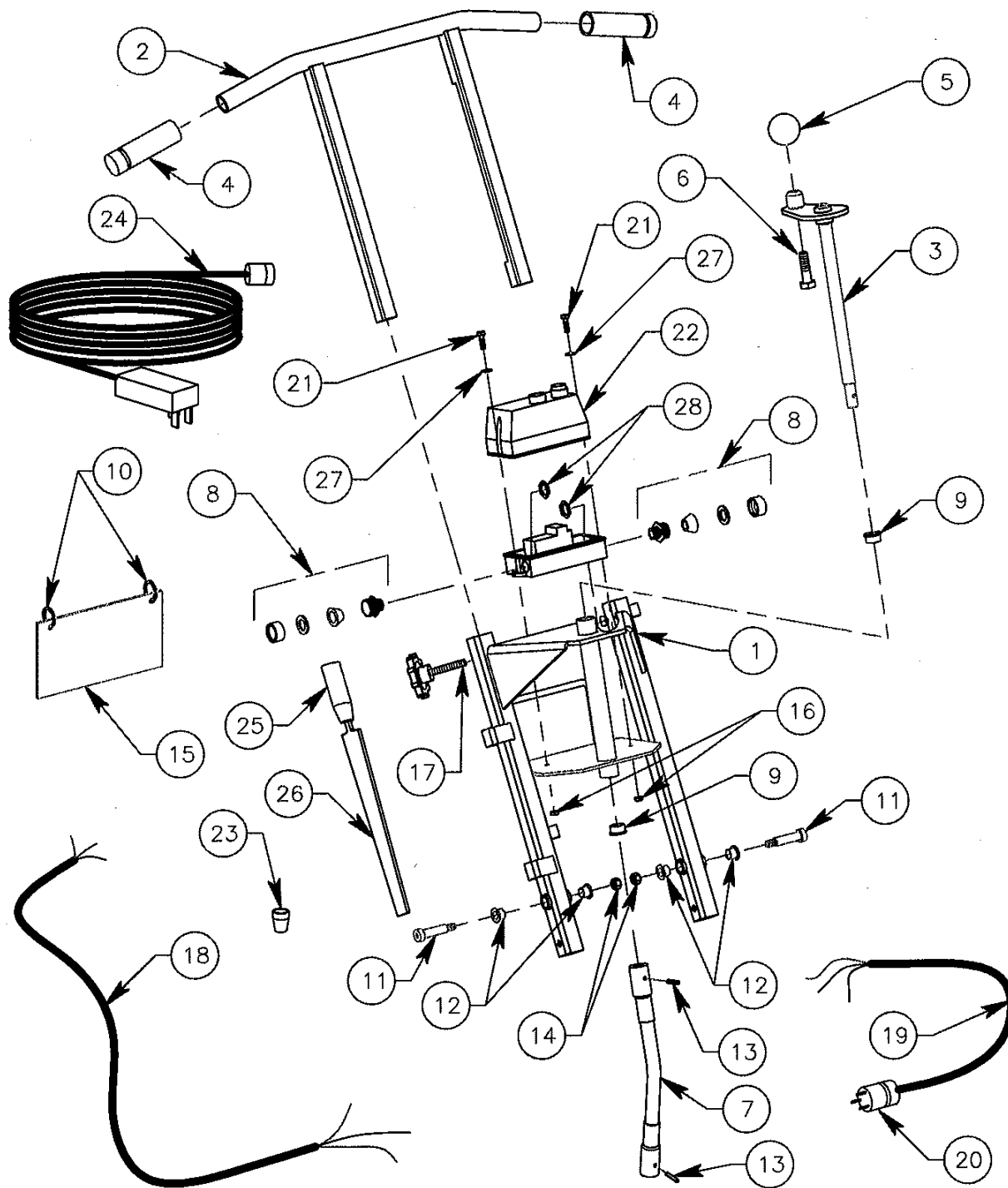
REFERANCE NUMBER	PART NUMBER	DESCRIPTION	QTY
1		Frame, Main	1
2		Cover, Motor	1
3		Block, Weight	1
4		Plate, Orbital	1
5		Plate, Clamping	1
6		Plate, Bottom	1
7		Support Bearing Assembly (Includes (1) P/N FCS16-0331)	1
8		Motor, Electric, 3/4 HP, 115 Volt (Includes (1) P/N 63031300)	1
9		Bearing, Support	1
10		Screw, Cap, 5/16-18 UNC x 7/8", Plated	2
11		Washer, Lock, 5/16", Plated	9
12		Washer, Flat, 1/4", Plated	2
13		Screw, Cap, Self Tap, 5/16-18 UNC x 3/4", Plated	4
14		Nut, Hexagon, 3/8-16 UNC, Plated	8
15		Nut, Hexagon, Flange, 7/16-14 UNC, Plated	2
16		Bearing, 2 Bolt Flange	1
17		Hub, Offset	1
18		Screw, Socket Head, 7/16-14 UNC x 1-1/4", Plated	2
19		Key, Square, 3/16" x 3/16", 1" (Serial Numbers 27105 Thru 27123)	1
		Key, Square, 3/16" x 3/16", 1-5/8" (Serial Numbers 27124)	1
20		Bolt, Carriage, 3/8-16 UNC x 2-1/4", Plated	2
21		Screw, Button Head, 5/16-18 UNC x 3/4", Plated	2
22		Rubber Mount Assembly (Includes (1) P/N FCS16-0311-010, (2) P/N FCS16-0311-020 (2) 18060000, (2) 16060000)	4
23		Screw, Cap, 3/8-16 UNC x 1", Plated	12
24		Washer, Lock, 3/8", Plated	16
25		Bearing, Flange	1
26		Nut, Hexagon, Nylock®, 5/16-18 UNC, Plated	4
27		Screw, Cap, 5/16-18 UNC x 1", Plated	2
28		Nut, Wing, 3/8-16 UNC, Plated	2
29		Pin/Lanyard Assembly	2
30		Screw, Cap, 5/16-18 UNC x 3/4", Plated	2
31		Bar, Stop	1
32		Grommet	2
33		T-Handle Hex Key, 3/16"	1
34		Pin, Roll, 3/16 x 1-1/4"	2
35		Tube, Handle	1
36		Ring, Kick Out	2

continues on next page...

## **Frame Assembly Bon Floor Stripper**

REFERANCE NUMBER	PART NUMBER	DESCRIPTION	QTY
37		Cup, Rubber Mount	8
38		Mount, Rubber	4
39		Screw, Cap, 5/16-18 UNC x 1-1/8", Plated	2
40		Connector, Grease	1
41		Connector, Grease, 1/8" Pipe	1
42		Hose Grease, 5/32" Clear (11" Length)	1
43		Fitting, grease, Straight	1
44		Bar, Stand Off	2
45		Screw, Cap, Socket Head, 5/16-18 UNC x 1-1/4", Plated	2
46		Washer, AN Type, 7/16", Plated	2
47		Weight, Balance	1
48		Nut, Hexagon, Flange, 5/16-18 UNC, Plated	2
49		Screw, Cap, 5/16-18 UNC x 3/4", Plated	4
50		Screw, Cap, Selt Tap, 5/16-18 UNC x 1/2", Plated	2

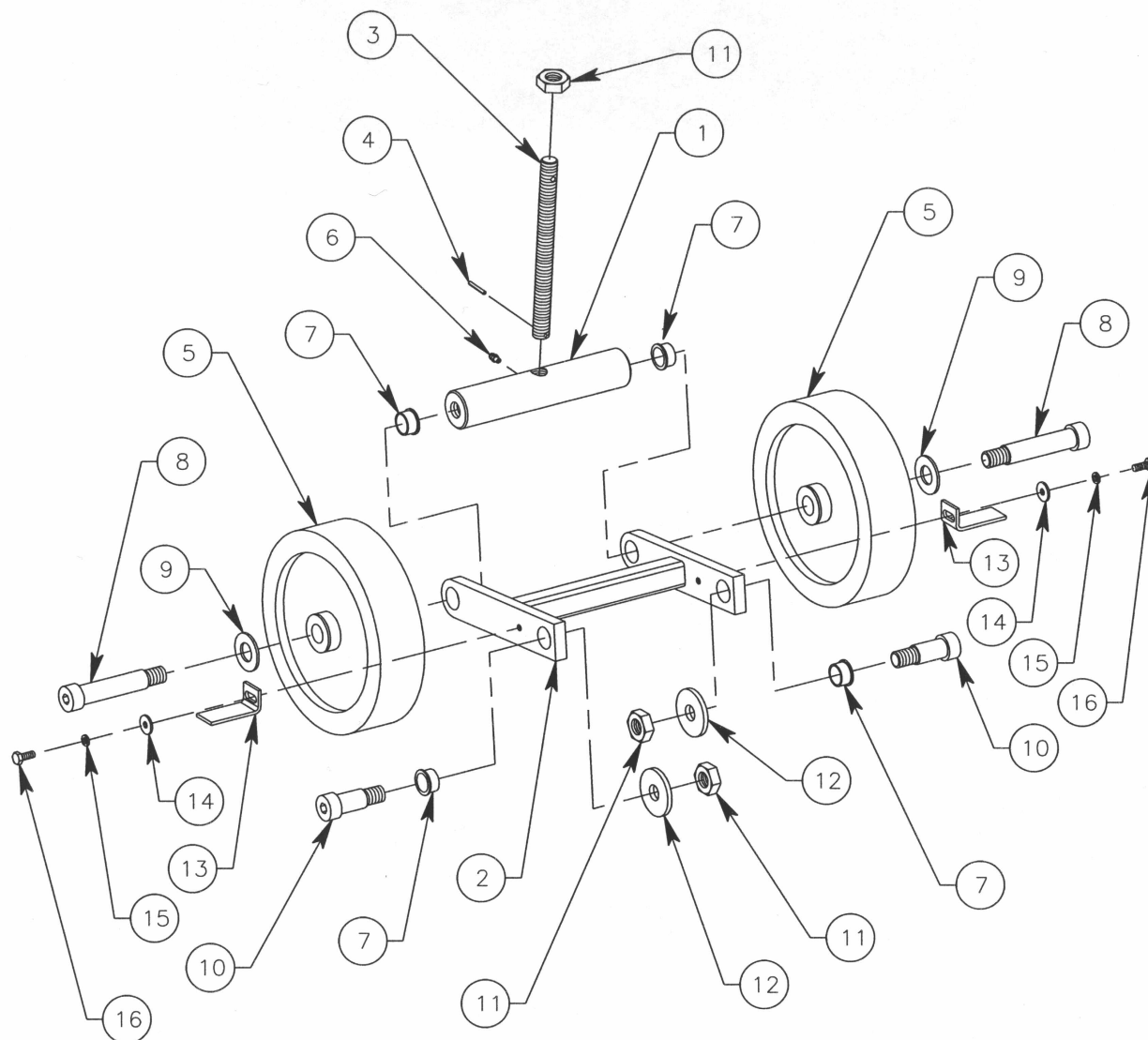
# Operator Handle Assembly Bon Floor Stripper



## **Operator Handle Assembly Bon Floor Stripper**

REFERENCE NUMBER	PART NUMBER	DESCRIPTION	REQUIRED QUANTITY
1		Handle, Lower	1
2		Handle, Top	1
3		Crank Assembly	1
4		Grip, Rubber	2
5		Knob, Handle	1
6		Screw, Cap, 1/2-13 UNC x 2", Plated	1
7		Hose, U-Joint	1
8		Bushing, Strain Relief	2
9		Bushing, Bronze, 3/4" ID	2
10		Ring, Kick-out	2
11		Bolt, Shoulder, 1/2" x 1-3/4"	2
12		Bushing, Bronze, 1/2" ID	4
13		Pin, Roll, 3/16" x 1-1/8"	2
14		Nut, Hexagon, Flange, 3/8-16 UNC, Plated	2
15		Sign, Tips	1
16		Nut, Hexagon, Nylock®, #8-32 UNC, Plated	2
17		Knob, Assembly	2
18		Cable, Switch/Motor	1
19		Cable, Plug/Switch	1
20		Plug, Twist Lock, Male, 15A	1
21		Round Head Machine Screw, #8-32 x 7/8" UNC, Plated	2
22		Switch, Magnetic Starter	1
23		Nut, Wire (Yellow)	1
24		Cord, Extension (With Integral GFI Switch)	1
25		File Handle, Long Ferrule	1
26		File, Mill Bastard (10")	1
27		Washer, Flat, #8 Plated	2
28		Nut, Bulkhead	2

## Adjustable Axle Assembly Bon Floor Stripper



## ***Adjustable Axle Assembly Bon Floor Stripper***

REFERENCE NUMBER	PART NUMBER	DESCRIPTION	REQUIRED QUANTITY
1		Axle	1
2		Axle Arm Assembly	1
3		Screw, Jack	1
4		Pin, Roll, Spiral, 1/8" x 1"	1
5		Wheel, 8"	2
6		Fitting, Grease	1
7		Bushing, Bronze, 3/4" ID	4
8		Bolt, Shoulder, 3/4" x 3"	2
9		Washer, Fiber	2
10		Bolt, Shoulder, 3/4" x 1-1/2"	2
11		Nut, Hex, 5/8-11 UNC, Plated	2
12		Washer, Flat, 5/8", Plated	2
13		Scraper, Wheel	2
14		Washer, Flat, 5/16", Plated	2
15		Washer, Lock, 5/16", Plated	2
16		Screw, Button Head, 5/16-18 UNC x 3/4", Plated	2