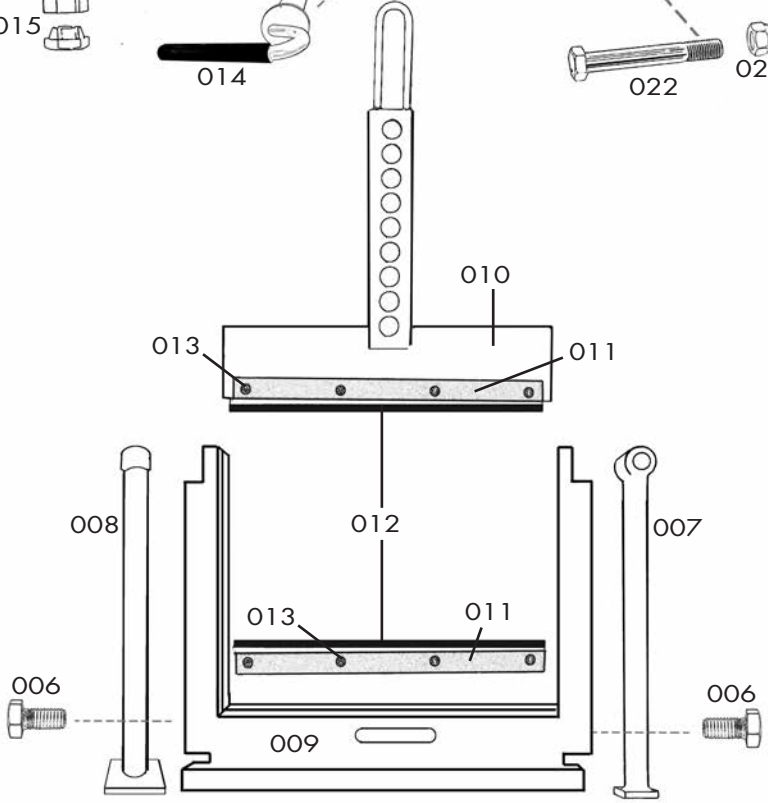
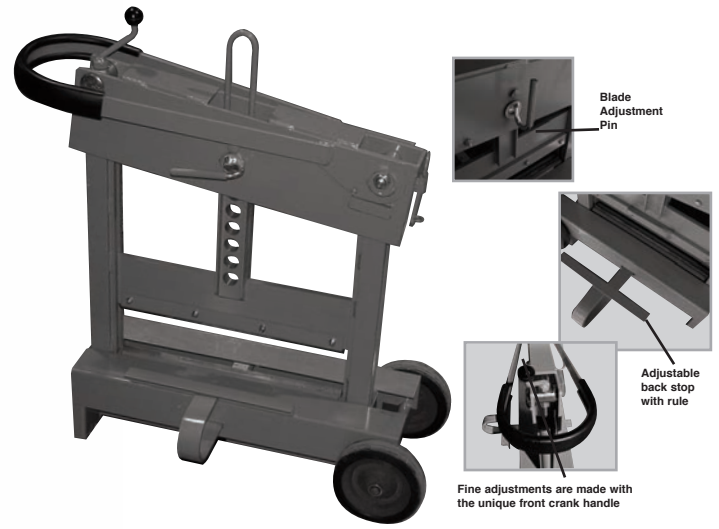
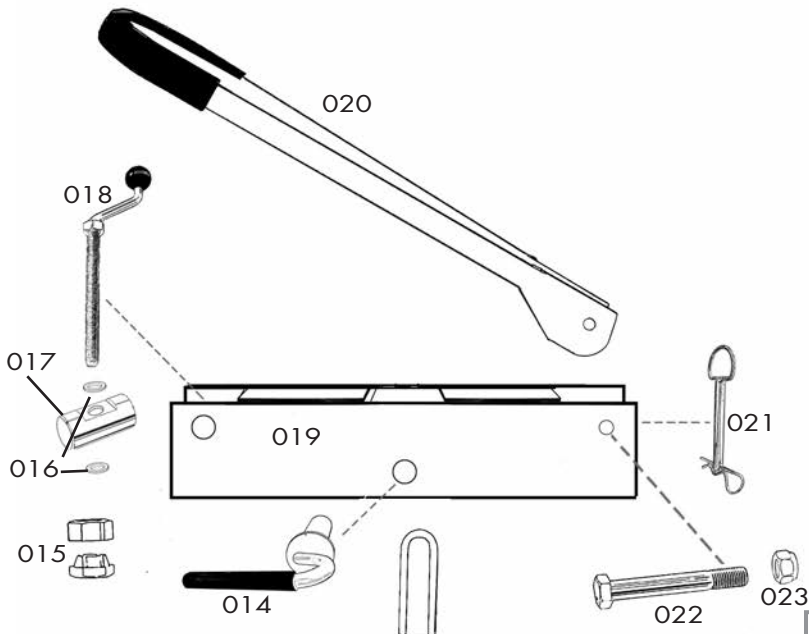


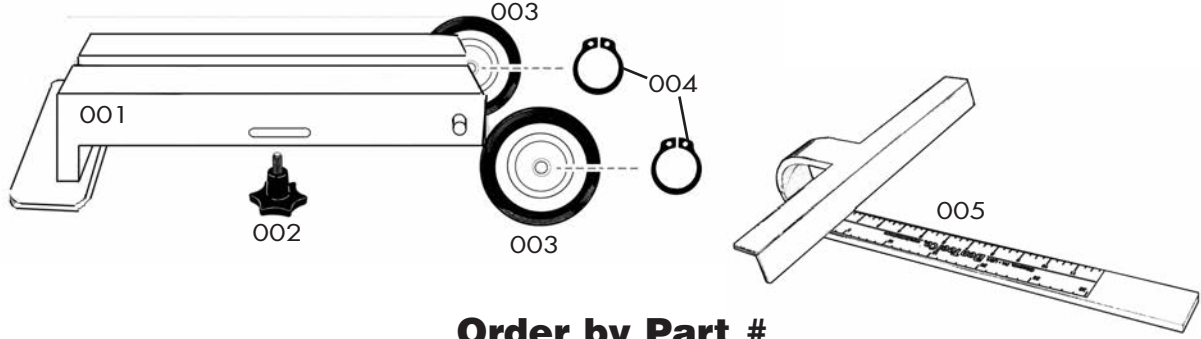
#11-543

Bon's Paver & Wall Splitter



Parts List

| Ref # | Key # | Part # | Detail | Qty/Unit |
|--------|-------|--------|--------------------------------|----------|
| 11-543 | 001 | 50-630 | Base | 1 |
| 11-543 | 002 | 50-631 | Scale Adj. Knob | 1 |
| 11-543 | 003 | 50-632 | Wheel | 2 |
| 11-543 | 004 | 50-633 | Snap Ring | 2 |
| 11-543 | 005 | 50-634 | Adjustable Back Stop w/ Rule | 1 |
| 11-543 | 006 | 50-635 | Hex Head Screw | 2 |
| 11-543 | 007 | 50-636 | Pivot Rod | 1 |
| 11-543 | 008 | 50-637 | Adjustment Rod | 1 |
| 11-543 | 009 | 50-638 | Bottom Blade Holder | 1 |
| 11-543 | 010 | 50-639 | Top Blade Holder | 1 |
| 11-543 | 011 | 50-640 | Blade Stabilizing Plate | 4 |
| 11-543 | 012 | 11-406 | Blade (1each - Top and Bottom) | 2 |
| 11-543 | 013 | 50-641 | Hex Head Bolt Nut Washer | 8 |
| 11-543 | 014 | 50-642 | Blade Adj. Pin | 1 |
| 11-543 | 015 | 50-643 | Crank Handle Nuts (2) | 1 |
| 11-543 | 016 | 50-644 | Crank Handle Washers | 2 |
| 11-543 | 017 | 50-645 | Crank Handle Guide | 1 |
| 11-543 | 018 | 50-646 | Crank Handle | 1 |
| 11-543 | 019 | 50-647 | Top Assembly | 1 |
| 11-543 | 020 | 50-648 | Handle | 1 |
| 11-543 | 021 | 50-649 | Support Pin | 1 |
| 11-543 | 022 | 50-650 | Hex Head Bolt | 1 |
| 11-543 | 023 | 50-651 | Hex Head Nut | 1 |



Order by Part #
Call Toll-Free 800-444-7060

Bon[®] *Trusted since 1958* 4430 Gibsonia Rd. • Gibsonia, PA 15044 • USA • www.bontool.com