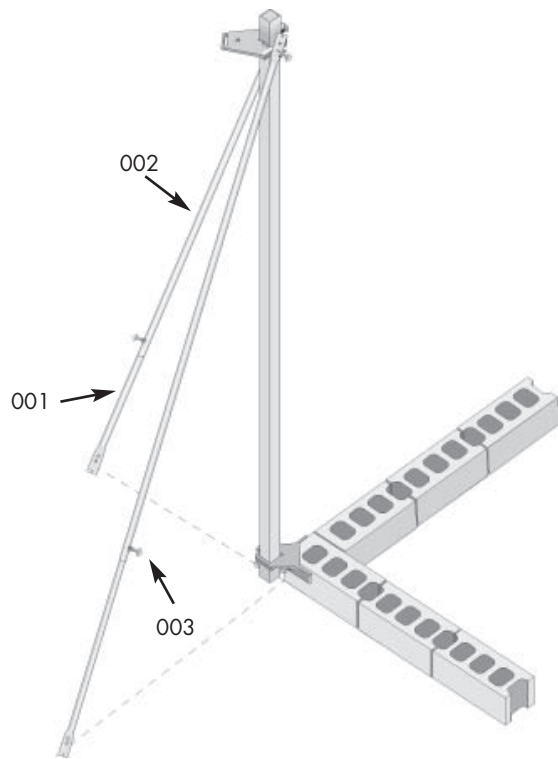
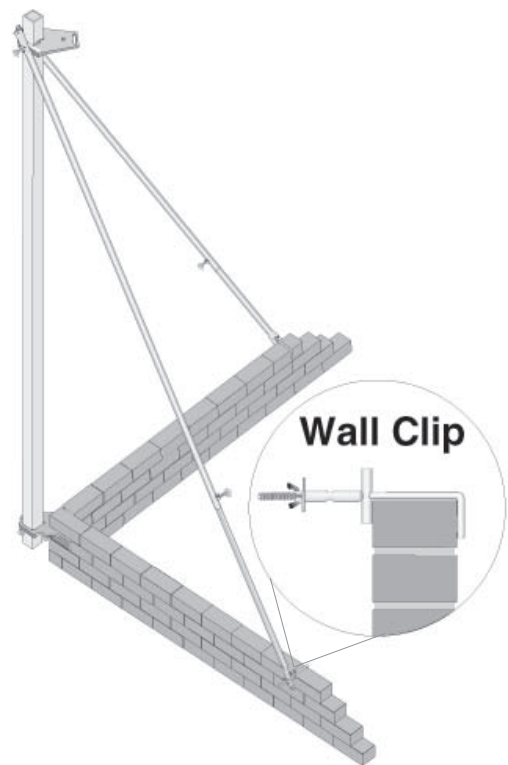


# #11-131

# Telescoping Pole Braces

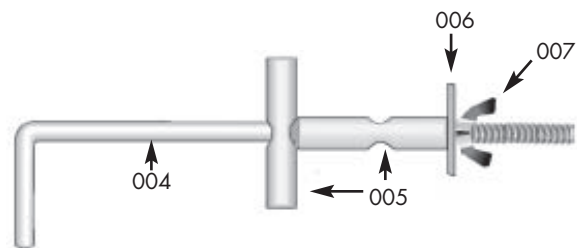


**Solid Bearing or Free Standing Installation**



**Multi-Story Installation**

Telescoping pole braces are to be used with corner poles for solid bearing, free standing masonry and multi-story work. The top of the braces are easily fastened to the 11-119 Top Sliding attachment. The bottom can be nailed to a stake (for free standing walls) or fastened to a wall clip (for multi-story application). Sold in pairs with wall clips.



## #11-142

**Complete Wall Clip Assembly**

### Parts List

Ref #	Key #	Part#	Detail	Qty/Unit	Ref #	Key #	Part#	Detail	Qty/Unit
11-131	001	n/a	Inner Tube	2	11-142	005	50-113	1 1/4" Barrels	4
11-131	002	n/a	Outer Tube	2	11-142	006	52-100	1/4" Flat Washer	2
11-131	003	52-302	1" Thumb Screw	2	11-142	007	52-260	1/4" Wingnut	2
11-142	004	50-112	L-Screw	2					

**Order by Part # or Ref # and Key #**

**Call 800-444-7060**

**Bon**<sup>®</sup>  
Trusted since 1958

4430 Gibsonia Rd. • Gibsonia, PA 15044 • USA • [www.bontool.com](http://www.bontool.com)

PL11131 06/18