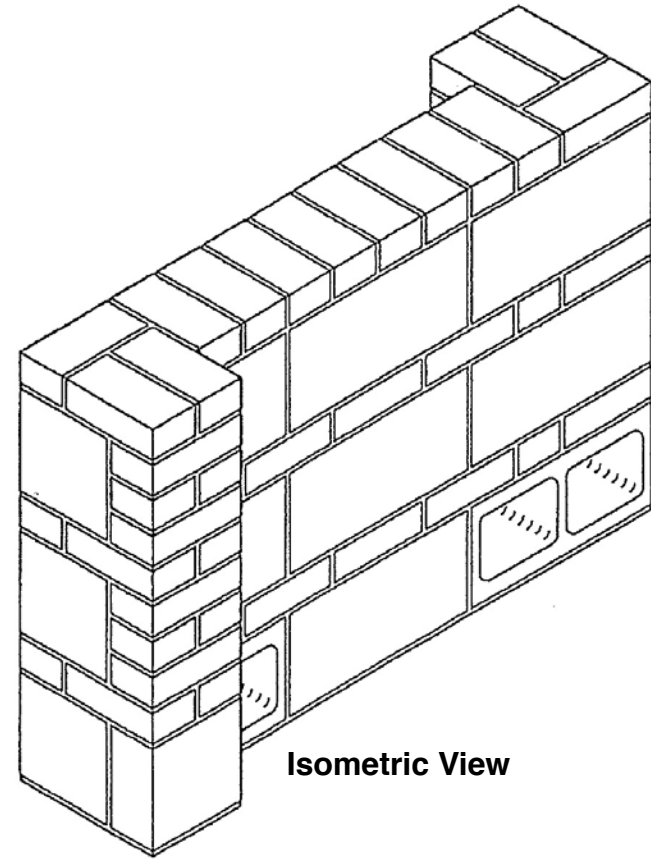
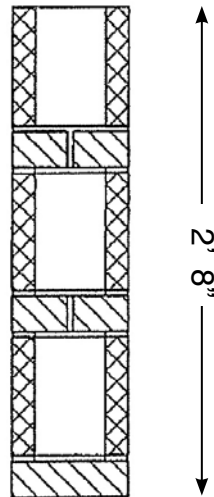
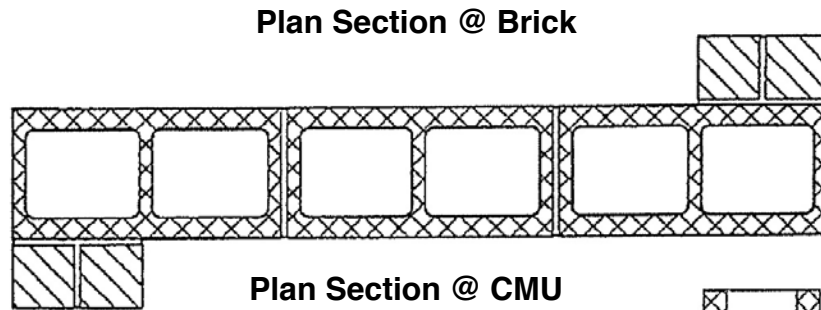
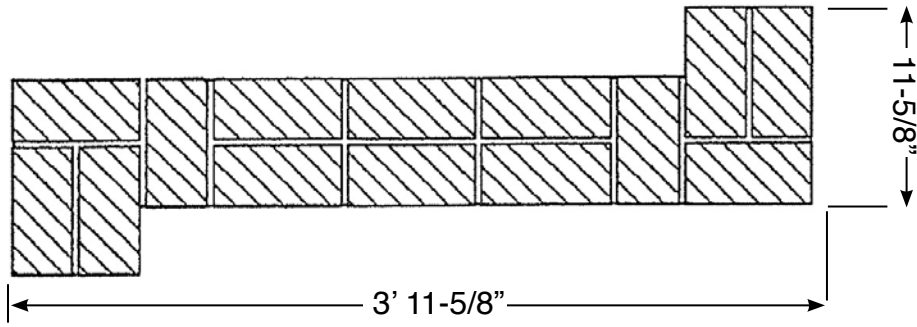


MASONRY PROJECT #56



Bon Tool Co. does not guarantee the accuracy of the data.
Please report errors and submit suggestions to Bon Tool Co.

MATERIALS REQUIRED

1. 9 - 8" CMU
2. 2 - Half 4" CMU
3. 14 - Uncored Modular Brick
4. 40 - Modular Brick

Bon Tool Co.[®]

Gibsonia, PA 15044 • 724-443-7080 • www.bontool.com