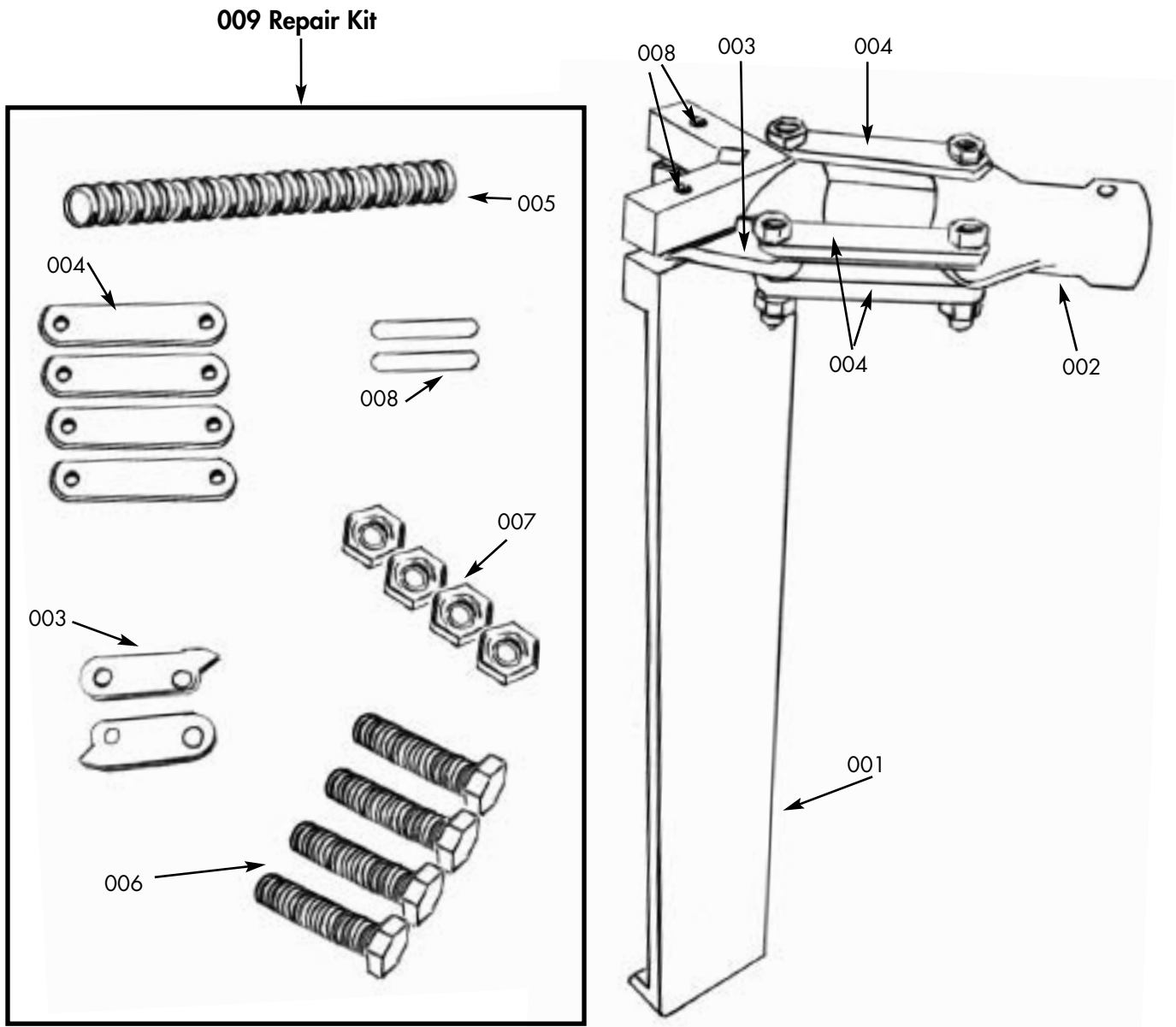


15-199

Corner Bead Tool



Parts List

| Ref # | Key # | Detail | Qty/Unit | Ref # | Key # | Detail | Qty/Unit |
|--------|-------|------------------|----------|--------|-------|-----------------------------|----------|
| 15-199 | 001 | Main Body | 1 | 15-199 | 006 | Hex Head Bolt 3/16" x 1" | 4 |
| 15-199 | 002 | Knock Head | 1 | 15-199 | 007 | Lock Nut 3/16" | 4 |
| 15-199 | 003 | Crimp Teeth | 2 | 15-199 | 008 | Rolling Pin | 2 |
| 15-199 | 004 | Connecting Arm | 4 | 15-199 | 009 | Repair Kit (as shown above) | 1 |
| 15-199 | 005 | Spring 1/4" x 3" | 1 | | | | |

Order by Reference # and Key #

Toll Free Order Hotline

800-444-7060

Bon[®]
Trusted since 1958

4430 Gibsonia Rd. • Gibsonia, PA 15044 • USA • www.bontool.com

PL15199 02/09